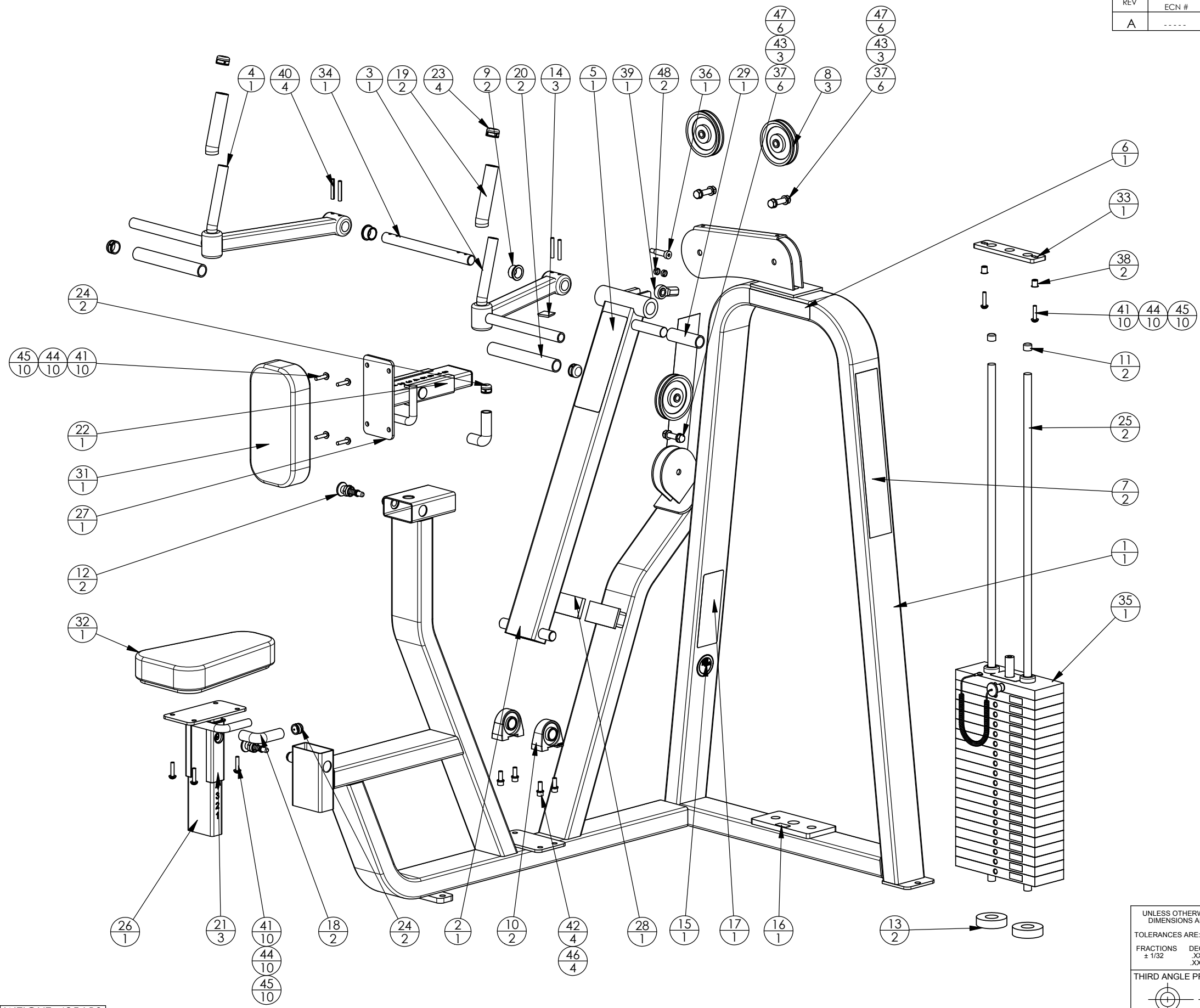


REVISIONS				
REV	ECN #	DESCRIPTION	REV. BY/DATE	APR. BY
A	-----	REDRAWN & UPDATED IN SOLIDWORKS	08/1998	



ITEM NO.	QTY.	PART NO.	DESCRIPTION
1	1	309-SA-1	309 MAIN FRAME ASSY
2	1	309-SA-2	309 PIVOT ARM ASSY
3	1	309-SA-3	309 RIGHT ARM ASSY
4	1	309-SA-4	309 LEFT ARM ASSY
5	1	AC0309B	LABEL, INSTRUCTION, "VERTICAL ROW 309"
6	1	AC1001	LABEL, "ICARIAN", 1 1/2 x 8 1/8
7	2	AC1002	LABEL, "ICARIAN", 3 1/2 x 21 1/2
8	3	AC1009	PULLEY, 4 1/2" DIA x 1/2" ID
9	2	AC1021	BUSHING, BRONZE, 1.020" ID x 1 1/4" OD
10	2	AC1026	PILLOW BLOCK BEARING 2 BOLT, TAPPED
11	2	AC1040	CAP, GUIDE ROD, DIA. 3/4
12	2	AC1051-MS	SNAP PIN, SMALL M-PULL
13	2	AC1148	WEIGHT STACK BUMPER
14	3	AC1149	RUBBER BUMPER, 1 1/4 SQ.
15	1	AC1161	LABEL, ROUND, "MADE IN USA"
16	1	AC1164	LABEL, F.P.I. SERIAL NUMBER
17	1	AC1183	LABEL, "WARNING, SERIOUS INJURY..."
18	2	AC1225-6	RUBBERGRIP, DIA 3/4 x (5)
19	2	AC1226-6	RUBBERGRIP, DIA 1 x (5 1/32)
20	2	AC1226-9	RUBBERGRIP, DIA 1 x (9)
21	3	AC1236-H	PLASTIC GLIDE WITH HOLE
22	1	AC1236-P	PLASTIC GLIDE WITH PLUG
23	4	AC218	HANDLE END CAP W/SET SCREWS, DIA 1"
24	2	AC220	HANDLE END CAP W/SET SCREWS, DIA 3/4"
25	2	CH1214	STEEL BAR RND, DIA. 3/4" x (52 5/8), #5
26	1	CH4000	SEAT SUPPORT ASSY. 9 HOLE
27	1	CH4001	BACK/CHEST ADJ. 10", 8 POS.
28	1	CP0008	CUT PIECE CREPE 7/16 x 2 x (4)
29	1	CP1182	CUT PIECE, VINYL HOSE, 1 1/4 OD x 1 ID x (4)
30	1	GP-309-79-500	CABLE ASSY, GP-309-79-500
31	1	PD1110	PAD, 6 x 12, 2 & 4 HOLES ASSY
32	1	PD1207	PAD, SEAT, 9 x 5 x (14 1/2), 4 HOLES
33	1	PF1016	STEEL BAR FLAT CR/HR, 3/8 x 2 x (8 1/4)
34	1	PF1284	STEEL BAR RND DIA .995" x (12)
35	1	WS2000	WEIGHT STACK, 20 PLATE, 200 LBS.
36	1	FA1028	BOLT, SHOULDER, 3/8-16 x 1/2 x 1 1/2
37	6	FA1035	NUT, HEX, ACORN, 1/2-13
38	2	FA1055	NUT, INSERT, 5/16-18
39	1	FA1064	ROD END, FEMALE, STEEL, ZINC, CAD, R.H.T.
40	4	FA1065	PIN, SPRING, DIA. 5/16 x 2
41	10	FA1072	BOLT, BUTTON HEAD, 5/16-18 x 1 1/2
42	4	FA1078	BOLT, SOCKET HEAD, 3/8-16 x 1
43	3	FA1101	STUD, 1/2-13 x 2 1/2
44	10	FA1106	WASHER, FLAT, 5/16 ID x 11/16 OD
45	10	FA1116	WASHER, SPLIT, 5/16 ID
46	4	FA1117	WASHER, SPLIT, 3/8 ID
47	6	FA1119	WASHER, SPLIT, 1/2 ID
48	2	FA1124	STEEL SPACER, 5/8 OD x 1/2 ID x (1/4)

WEIGHT: 425 LBS.

UNLESS OTHERWISE SPECIFIED DIMENSIONS ARE IN INCHES
 TOLERANCES ARE:
 FRACTIONS ± 1/32 DECIMALS .XX ± .01 ANGLES ± 1°
 .XXX ± .005
 THIRD ANGLE PROJECTION
 DO NOT SCALE DRAWING

ICARIAN FITNESS PRODUCTS INTERNATIONAL
 ICARIAN FLITE ABENCH JADE STRETCH CENTER
 12660 BRANFORD ST. SUN VALLEY, CA. 91352

APPROVALS	DATE	TITLE	SCALE
DESIGNED BY GZ	05/92	VERTICAL ROW	1:10
MODELED BY RSG	08/98		SHEET 1 OF 1
DRAWN BY RJB	04/00	SIZE B	REV A
APPROVED BY		DWG NO. 309-EXP	

309 Vertical Row

Part Number	Description	Bubble Number
CW309SA1-211	ASSY,FRAME,MAIN,309,SKY WHITE	1.01
CW309SA1-212	ASSY,FRAME,MAIN,309,SKY WHITE	1.01
CW309SA1-221	ASSY,FRAME,MAIN,309,BLACK	1.02
CW309SA1-222	ASSY,FRAME,MAIN,309,BLACK	1.02
CW309SA1-231	ASSY,FRAME,MAIN,309,RED	1.03
CW309SA1-241	ASSY,FRAME,MAIN,309,PLATINUM SPRKLE	1.04
CW309SA1-251	ASSY,FRAME,MAIN,309,SILVER	1.05
CW309SA1-261	ASSY,FRAME,MAIN,309,BLUE	1.06
CW309SA1-271	ASSY,FRAME,MAIN,309,CHARCOAL	1.07
CW309SA1-281	ASSY,FRAME,MAIN,309,CATHEDRAL GRAY	1.08
CW309SA1-291	ASSY,FRAME,MAIN,309,SILVER VIEN	1.09
CW309SA1-311	ASSY,FRAME,MAIN,309,STONE HG	1.11
CW309SA1-312	ASSY,FRAME,MAIN,309,STONE HG	1.11
CW309SA1-321	ASSY,FRAME,MAIN,309,TITANIUM HG	1.12
CW309SA1-322	ASSY,FRAME,MAIN,309,TITANIUM HG	1.12
CW309SA1-331	ASSY,FRAME,MAIN,309,WHITE GLOSS	1.13
CW309SA1-341	ASSY,FRAME,MAIN,309,BLACK ONYX	1.14
CW309SA1-351	ASSY,FRAME,MAIN,309,LIGHT BRONZE	1.15
CW309SA1-352	ASSY,FRAME,MAIN,309,LIGHT BRONZE	1.15
CW309SA1-361	ASSY,FRAME,MAIN,309,SAPPHIRE BLUE	1.16
CW309SA1-362	ASSY,FRAME,MAIN,309,SAPPHIRE BLUE	1.16
CW309SA2-311	ASSY, PIVOT ARM, 309,STONE HG	2.11
CW309SA3-311	ASSY, ARM, RIGHT, 309,STONE HG	3.11
CW309SA4-311	ASSY, ARM, LEFT, 309,STONE HG	4.11
CWAC1009-101	PULLEY, 4 1/2 DIA. X 1/2 ID	8
CW10043-134	BUSHING, BRONZE, 1" ID X 1 1/4" OD	9
CW12406-101	PILLOW BLOCK, BEARING, 2 BOLT	10
CW12404-101	CAP, GUIDE ROD,DIA 3/4, BLK	11
CW30165-751	ASSY, POP PIN, 0.450 DIA HANDLE, B	12
CW32460-321	ASSY, RATCHETING LEVER, TITANIUM	12
CW12402-101	BUMPER, WEIGHT STACK, BLK RUBBER	13
CW12575-101	MOULDED BUMPON, BLACK, 31.75MM SQ (14
CWGR2505-000	GRIP,RUBBER,3/4" DIA, 5"	19
CWGR2605-030	GRIP,RUBBER, 1" DIA, 5-1/32"	19
CWGR2609-000	GRIP,RUBBER, 1" DIA, 9"	20
CWAC1236-102	GUIDE INSERT, PLASTIC WITH HOLE, BL	21
CWAC1236-101	GUIDE INSERT, PLASTIC WITHOUT HOLE,	22
CWAC218-901	HANDLE END CAP W/SET SCREWS, DIA 1"	23
CWAC220-901	HANDLE END CAP W/SET SCREWS, DIA 3/	24
CWPF1214-711	GUIDE ROD,STEEL,OD 3/4 X 52 5/8, CH	25
CW30181-711	ASSY,SEAT SUPPORT,9 HOLE,CHM	26
CW32535-711	ASSEMBLY, SEAT ADJUSTMENT, 8 HOLE,	26
CW30529-711	ASSY,BACK/CHEST ADJ. 10", 8 POS.	27
CW32211-711	ASSEMBLY, BACKPAD ADJUSTMENT, 8 HOL	27
CW30014-105	CUT PIECE, CREPE, 7/16 X 2 X 4	28
CWCLGP079-500	ASSY, CABLE, 309	30
CWPD1110B-101	PAD,6X12,4HOLES,W/BP,BLACK	31.01
CWPD1110B-102	PAD,6X12,4HOLES,W/BP,RYL BL	31.02
CWPD1110B-103	PAD,6X12,4HOLES,W/BP,DV GRY	31.03

CWPD1110B-104	PAD,6X12,4HOLES,W/BP,CROCUS	31.04
CWPD1110B-105	PAD,6X12,4HOLES,W/BP,GROTTO	31.05
CWPD1110B-106	PAD,6X12,4HOLES,W/BP,GRPHTE	31.06
CWPD1110B-107	PAD,6X12,4HOLES,W/BP,RED	31.07
CWPD1110B-108	PAD,6X12,4HOLES,W/BP,CH GRN	31.08
CWPD1110B-109	PAD,6X12,4HOLES,W/BP,TURQSE	31.09
CWPD1110B-110	PAD,6X12,4HOLES,W/BP,RASP	31.1
CWPD1110B-111	PAD,6X12,4HOLES,W/BP,PLUM	31.11
CWPD1110B-112	PAD,6X12,4HOLES,W/BP,REGMNT	31.12
CWPD1110B-113	PAD,6X12,4HOLES,W/BP,SP BLUE	31.13
CWPD1110B-115	PAD,6X12,4HOLES,W/BP,BLK LTH	31.15
CWPD1110B-116	PAD,6X12,4HOLES,W/BP,NB LTH	31.16
CWPD1110B-117	PAD,6X12,4HOLES,W/BP,PUTTY	31.17
CWPD1110B-118	PAD,6X12,4HOLES,W/BP,IMPRL BLUE	31.18
CWPD1110B-119	PAD,6X12,4HOLES,W/BP,YEW GREEN	31.19
CWPD1110B-120	PAD,6X12,4HOLES,W/BP,DUSTY JADE	31.2
CWPD1110B-121	PAD,6X12,4HOLES,W/BP,TERRA COTTA	31.21
CWPD1110B-122	PAD,6X12,4HOLES,W/BP,PAPRIKA	31.22
CWPD1110B-123	PAD,6X12,4HOLES,W/BP,ASH LTHR	31.23
CWPD1110B-124	PAD,6X12,4HOLES,W/BP,CERULEAN LTHR	31.24
CWPD1110B-125	PAD,6X12,4HOLES,W/BP,CHARCOAL LTHR	31.25
CWPD1110B-126	PAD,6X12,4HOLES,W/BP,HUNTER LTHR	31.26
CWPD1110B-127	PAD,6X12,4HOLES,W/BP,MOSS LTHR	31.27
CWPD1110B-128	PAD,6X12,4HOLES,W/BP,SPICE LTHR	31.28
CWPD1110B-129	PAD,6X12,4HOLES,W/BP,TOMATO LTHR	31.29
CWPD1207A-101	PAD,5X9X14.5,4HOLES,BLACK	32.01
CWPD1207A-102	PAD,5X9X14.5,4HOLES,RYL BL	32.02
CWPD1207A-103	PAD,5X9X14.5,4HOLES,DVE GRY	32.03
CWPD1207A-104	PAD,5X9X14.5,4HOLES,CROCUS	32.04
CWPD1207A-105	PAD,5X9X14.5,4HOLES,GROTTO	32.05
CWPD1207A-106	PAD,5X9X14.5,4HOLES,GRAPHITE	32.06
CWPD1207A-107	PAD,5X9X14.5,4HOLES,RED	32.07
CWPD1207A-108	PAD,5X9X14.5,4HOLES,CHN GRN	32.08
CWPD1207A-109	PAD,5X9X14.5,4HOLES,TURQSE	32.09
CWPD1207A-110	PAD,5X9X14.5,4HOLES,RASP	32.1
CWPD1207A-111	PAD,5X9X14.5,4HOLES,PLUM	32.11
CWPD1207A-112	PAD,5X9X14.5,4HOLES,REGIMENT	32.12
CWPD1207A-113	PAD,5X9X14.5,4HOLES,SPC BLUE	32.13
CWPD1207A-115	PAD,5X9X14.5,4HOLES,BLK LTHR	32.15
CWPD1207A-116	PAD,5X9X14.5,4HOLES,NVBL LTH	32.16
CWPD1207A-117	PAD,5X9X14.5,4HOLES,PUTTY	32.17
CWPD1207A-118	PAD,5X9X14.5,4HOLES,IMPRL BL	32.18
CWPD1207A-119	PAD,5X9X14.5,4HOLES,YEW GRN	32.19
CWPD1207A-120	PAD,5X9X14.5,4HOLES,DSTY JD	32.2
CWPD1207A-121	PAD,5X9X14.5,4HOLES,TER COT	32.21
CWPD1207A-122	PAD,5X9X14.5,4HOLES,PAPRIKA	32.22
CWPD1207A-123	PAD,5X9X14.5,4HLS,ASH LTHR	32.23
CWPD1207A-124	PAD,5X9X14.5,4HLS,CERULAN LTHR	32.24
CWPD1207A-125	PAD,5X9X14.5,4HLS,CHARCOAL LTHR	32.25
CWPD1207A-126	PAD,5X9X14.5,4HLS,HUNTER LTHR	32.26
CWPD1207A-127	PAD,5X9X14.5,4HLS,MOSS LTHR	32.27

CWPD1207A-128	PAD,5X9X14.5,4HLS,SPICE LTHR	32.28
CWPD1207A-129	PAD,5X9X14.5,4HLS,TOMATO LTH	32.29
CWPF1016-731	BAR,,FLAT CR/HR, 3/8 X 2 X 8 1/4, 3	33
CWPF1284-731	BAR,STEEL, RND, DIA .995" X (12), 4	34
CW30103-200	WEIGHT STACK,200 LBS,MTP-S,19 X 10	35
CWRANN038-150	BOLT, SHOULDER, 3/8-16 X 1/2 X 1 1/	36
CWKADLN050-081	NUT, ACORN, 1/2-13	37
CW12537-109	NUT,INSERT,THIN-NUT,LARGE FLANGE	38
CWCLFA1064-741	ROD END, FEMALE, STEEL, ZINC, CAD,	39
CWLDNN031-200	PIN, ROLL, DIA 5/16 X 2.00	40
CWTAYN031-150	SCREW, BUTTON HEAD, BLK XYLAN,5/16	41
CWCAYN038-100	SCREW, SOCKET HEAD, BLK XYLAN, 3/	42
CWBFNN050-250	STUD, 1/2-13 X 2 1/2	43
CWWBKN031-007	WASHER, FLAT, TYPE A, SAE, 5/16 ID	44
CWWALYN031-008	WASHER, SPLIT, 5/16 ID, BL	45
CWWALYN038-009	WASHER, SPLIT, 3/8 ID, BLK XYLAN	46
CWWALYN050-013	WASHER, SPLIT, 1/2 ID, BLK XYLAN	47
CWFA1124-901	SPACER, STEEL,5/8 OD X 1/2 ID X 1/4	48
CW30010-101	LABEL,WARNING STRENGTH	49
CW30031-101	LABEL,INSTRUCTION,309	50
CW31756-101	LABEL, PRECOR USA ICARIAN LINE	51
CW31784-731	STOP PLUG, BLK ZN	52
CW12634-101	SPRING, TORSION 90 DEG X 0.484 X 0.	72
CW31770-742	LATCH PIVOTING PIN, CLR ZN	73
CWAMNN028-003	RING, RETAINING, 2-TURN, SPIRAL, SS	74
CW12633-101	ENDCAP, REC TUBE, LDP, 1 1/2 X 3 1	75
CWAC220-901	HANDLE END CAP W/SET SCREWS, DIA 3/	101
CWGR2505-000	GRIP,RUBBER,3/4" DIA, 5"	102
CW10505-721	ASSY, PLATE, WEIGHT, 05 LBS, WRKL B	200
CW10510-721	ASSY, PLATE, WEIGHT, 10 LBS, WRKL B	201
CW10520-721	ASSY, PLATE, WEIGHT, 20 LBS, WRKL B	202
CWAC1133-101	BUSHING, WEIGHT PLATE, LDPE PLASTIC	203
CW30172-751	ASSY, 4.00 IN WEIGHT STACK PIN AND	227
CW30173-751	ASSY, 6.00 IN WEIGHT STACK PIN AND	228
CWLDNN038-200	PIN, ROLL, DIA 3/8 X 2	250
CW30184-901	ASSY,BARREL, TOP PLATE,ALUMINUM	251
CW10535-721	PLATE, WEIGHT, SMALLTOP (STP-S), 0	281
CW10535-722	PLATE, WEIGHT, SMALLTOP (STP-S), 0	281
CW10550-721	PLATE, WEIGHT, MED TOP (MTP-S), 10	283
CW10550-722	PLATE, WEIGHT, MED TOP (MTP-S), 10	283
CW30132-711	SELECTOR STEM, 20 PLATE,0 .875 DIA,	308
CW30011-101	LABEL,WARNING WEIGHT STACK	311
CW12401-102	LABEL, WEIGHT PLATE, 10 LBS/ 4.6 KG	315
CW12401-104	LABEL, WEIGHT PLATE, 15 LBS/ 6.8 KG	317
CW12401-106	LABEL, WEIGHT PLATE, 20 LBS/ 8 KG	319
CW12401-108	LABEL, WEIGHT PLATE, 25 LBS/ 11.4 K	321
CW12401-110	LABEL, WEIGHT PLATE, 30 LBS/ 13.6 K	323
CW12401-112	LABEL, WEIGHT PLATE, 35 LBS/ 15.9 K	325
CW12401-114	LABEL, WEIGHT PLATE, 40 LBS/ 18.2 K	327
CW12401-116	LABEL, WEIGHT PLATE, 45 LBS/ 20.5 K	329
CW12401-118	LABEL, WEIGHT PLATE, 50 LBS/ 22.7 K	331

CW12401-119	LABEL, WEIGHT PLATE, 55 LBS/ 25 KG	332
CW12401-120	LABEL, WEIGHT PLATE, 60 LBS/ 27.3 K	333
CW12401-121	LABEL, WEIGHT PLATE, 65 LBS/ 29.5 K	334
CW12401-122	LABEL, WEIGHT PLATE, 70 LBS/ 31.8 K	335
CW12401-123	LABEL, WEIGHT PLATE, 75 LBS/ 34.1 K	336
CW12401-124	LABEL, WEIGHT PLATE, 80 LBS/ 36.4 K	337
CW12401-125	LABEL, WEIGHT PLATE, 85 LBS/ 38.6 K	338
CW12401-126	LABEL, WEIGHT PLATE, 90 LBS/ 40.9 K	339
CW12401-127	LABEL, WEIGHT PLATE, 95 LBS/ 43.2 K	340
CW12401-128	LABEL, WEIGHT PLATE, 100 LBS/ 45.5	341
CW12401-129	LABEL, WEIGHT PLATE, 110 LBS/ 50 KG	342
CW12401-130	LABEL, WEIGHT PLATE, 120 LBS/ 54.6	343
CW12401-131	LABEL, WEIGHT PLATE, 130 LBS/ 59.1	344
CW12401-132	LABEL, WEIGHT PLATE, 140 LBS/ 63.6	345
CW12401-133	LABEL, WEIGHT PLATE, 150 LBS/ 68.2	346
CW12401-134	LABEL, WEIGHT PLATE, 160 LBS/ 72.7	347
CW12401-135	LABEL, WEIGHT PLATE, 170 LBS/ 77.3	348
CW12401-136	LABEL, WEIGHT PLATE, 180 LBS/ 81.8	349
CW12401-137	LABEL, WEIGHT PLATE, 190 LBS/ 86.4	350
CW12401-138	LABEL, WEIGHT PLATE, 200 LBS/ 90.9	351
CW12401-140	LABEL, WEIGHT PLATE, 220 LBS/ 100 K	353
CW12401-142	LABEL, WEIGHT PLATE, 240 LBS/ 109.1	355
CW12401-144	LABEL, WEIGHT PLATE, 260 LBS/ 118.2	357
CW12401-145	LABEL, WEIGHT PLATE, 280 LBS/ 127.3	358
CW12537-109	NUT,INSERT,THIN-NUT,LARGE FLANGE	400
CW30126-101	LABEL,VINYL, PRECOR, 3.25 X 18.0	401
CWKAYN031-025	LOCKNUT, NYLON INSERT, HALF, UNC,	402
CWPF2307-721	BAR, FLAT 3/16 X 1 X (23 3/4), 4 BE	403
CWPF3143-211	SHROUD,SHEET,STEEL,3/32 THICK,4 BEN	404.01
CWPF3143-221	SHROUD,SHEET,STEEL,3/32 THICK,4 BEN	404.02
CWPF3143-231	SHROUD,SHEET,STEEL,3/32 THICK,4 BEN	404.03
CWPF3143-241	SHROUD,SHEET,STEEL,3/32 THICK,4 BEN	404.04
CWPF3143-251	SHROUD,SHEET,STEEL,3/32 THICK,4 BEN	404.05
CWPF3143-261	SHROUD,SHEET,STEEL,3/32 THICK,4 BEN	404.06
CWPF3143-271	SHROUD,SHEET,STEEL,3/32 THICK,4 BEN	404.07
CWPF3143-281	SHROUD,SHEET,STEEL,3/32 THICK,4 BEN	404.08
CWPF3143-291	SHROUD,SHEET,STEEL,3/32 THICK,4 BEN	404.09
CWPF3143-311	SHROUD,SHEET,STEEL,3/32 THICK,4 BEN	404.11
CWPF3143-321	SHROUD,SHEET,STEEL,3/32 THICK,4 BEN	404.12
CWPF3143-331	SHROUD,SHEET,STEEL,3/32 THICK,4 BEN	404.13
CWPF3143-341	SHROUD,SHEET,STEEL,3/32 THICK,4 BEN	404.14
CWPF3143-351	SHROUD,SHEET,STEEL,3/32 THICK,4 BEN	404.15
CWPF3143-361	SHROUD,SHEET,STEEL,3/32 THICK,4 BEN	404.16
CWPF3143-711	SHROUD,SHEET,STEEL,3/32 THICK,4 BEN	404.17
CWPF3144-721	SHROUD BRKT,PLATE,STEEL,1/8 THICK,1	405
CWTAYN031-100	SCREW, BUTTON HEAD, BLK XYLAN, 5/1	406
CWWALYN031-008	WASHER, SPLIT, 5/16 ID, BL	407
CWWBKN031-007	WASHER, FLAT, TYPE A, SAE, 5/16 ID	408
CWAC1177-101	FLOOR PROTECTOR, RUBBER, 4.563 X 4.	501
CWAC1178-101	FLOOR PROTECTOR, RUBBER, 2.563 X 6.	502

309 Vertical Row

Part Number	Description	Bubble Number
CW309SA1-211	ASSY,FRAME,MAIN,309,SKY WHITE	1.01
CW309SA1-212	ASSY,FRAME,MAIN,309,SKY WHITE	1.01
CW309SA1-221	ASSY,FRAME,MAIN,309,BLACK	1.02
CW309SA1-222	ASSY,FRAME,MAIN,309,BLACK	1.02
CW309SA1-231	ASSY,FRAME,MAIN,309,RED	1.03
CW309SA1-241	ASSY,FRAME,MAIN,309,PLATINUM SPRKLE	1.04
CW309SA1-251	ASSY,FRAME,MAIN,309,SILVER	1.05
CW309SA1-261	ASSY,FRAME,MAIN,309,BLUE	1.06
CW309SA1-271	ASSY,FRAME,MAIN,309,CHARCOAL	1.07
CW309SA1-281	ASSY,FRAME,MAIN,309,CATHEDRAL GRAY	1.08
CW309SA1-291	ASSY,FRAME,MAIN,309,SILVER VIEN	1.09
CW309SA1-311	ASSY,FRAME,MAIN,309,STONE HG	1.11
CW309SA1-312	ASSY,FRAME,MAIN,309,STONE HG	1.11
CW309SA1-321	ASSY,FRAME,MAIN,309,TITANIUM HG	1.12
CW309SA1-322	ASSY,FRAME,MAIN,309,TITANIUM HG	1.12
CW309SA1-331	ASSY,FRAME,MAIN,309,WHITE GLOSS	1.13
CW309SA1-341	ASSY,FRAME,MAIN,309,BLACK ONYX	1.14
CW309SA1-351	ASSY,FRAME,MAIN,309,LIGHT BRONZE	1.15
CW309SA1-352	ASSY,FRAME,MAIN,309,LIGHT BRONZE	1.15
CW309SA1-361	ASSY,FRAME,MAIN,309,SAPPHIRE BLUE	1.16
CW309SA1-362	ASSY,FRAME,MAIN,309,SAPPHIRE BLUE	1.16
CW309SA2-311	ASSY, PIVOT ARM, 309,STONE HG	2.11
CW309SA3-311	ASSY, ARM, RIGHT, 309,STONE HG	3.11
CW309SA4-311	ASSY, ARM, LEFT, 309,STONE HG	4.11
CWAC1009-101	PULLEY, 4 1/2 DIA. X 1/2 ID	8
CW10043-134	BUSHING, BRONZE, 1" ID X 1 1/4" OD	9
CW12406-101	PILLOW BLOCK, BEARING, 2 BOLT	10
CW12404-101	CAP, GUIDE ROD,DIA 3/4, BLK	11
CW30165-751	ASSY, POP PIN, 0.450 DIA HANDLE, B	12
CW32460-321	ASSY, RATCHETING LEVER, TITANIUM	12
CW12402-101	BUMPER, WEIGHT STACK, BLK RUBBER	13
CW12575-101	MOULDED BUMPON, BLACK, 31.75MM SQ (14
CWGR2505-000	GRIP,RUBBER,3/4" DIA, 5"	19
CWGR2605-030	GRIP,RUBBER, 1" DIA, 5-1/32"	19
CWGR2609-000	GRIP,RUBBER, 1" DIA, 9"	20
CWAC1236-102	GUIDE INSERT, PLASTIC WITH HOLE, BL	21
CWAC1236-101	GUIDE INSERT, PLASTIC WITHOUT HOLE,	22
CWAC218-901	HANDLE END CAP W/SET SCREWS, DIA 1"	23
CWAC220-901	HANDLE END CAP W/SET SCREWS, DIA 3/	24
CWPF1214-711	GUIDE ROD,STEEL,OD 3/4 X 52 5/8, CH	25
CW30181-711	ASSY,SEAT SUPPORT,9 HOLE,CHM	26
CW32535-711	ASSEMBLY, SEAT ADJUSTMENT, 8 HOLE,	26
CW30529-711	ASSY,BACK/CHEST ADJ. 10", 8 POS.	27
CW32211-711	ASSEMBLY, BACKPAD ADJUSTMENT, 8 HOL	27
CW30014-105	CUT PIECE, CREPE, 7/16 X 2 X 4	28
CWCLGP079-500	ASSY, CABLE, 309	30
CWPD1110B-101	PAD,6X12,4HOLES,W/BP,BLACK	31.01
CWPD1110B-102	PAD,6X12,4HOLES,W/BP,RYL BL	31.02
CWPD1110B-103	PAD,6X12,4HOLES,W/BP,DV GRY	31.03

CWPD1110B-104	PAD,6X12,4HOLES,W/BP,CROCUS	31.04
CWPD1110B-105	PAD,6X12,4HOLES,W/BP,GROTTO	31.05
CWPD1110B-106	PAD,6X12,4HOLES,W/BP,GRPHTE	31.06
CWPD1110B-107	PAD,6X12,4HOLES,W/BP,RED	31.07
CWPD1110B-108	PAD,6X12,4HOLES,W/BP,CH GRN	31.08
CWPD1110B-109	PAD,6X12,4HOLES,W/BP,TURQSE	31.09
CWPD1110B-110	PAD,6X12,4HOLES,W/BP,RASP	31.1
CWPD1110B-111	PAD,6X12,4HOLES,W/BP,PLUM	31.11
CWPD1110B-112	PAD,6X12,4HOLES,W/BP,REGMNT	31.12
CWPD1110B-113	PAD,6X12,4HOLES,W/BP,SP BLUE	31.13
CWPD1110B-115	PAD,6X12,4HOLES,W/BP,BLK LTH	31.15
CWPD1110B-116	PAD,6X12,4HOLES,W/BP,NB LTH	31.16
CWPD1110B-117	PAD,6X12,4HOLES,W/BP,PUTTY	31.17
CWPD1110B-118	PAD,6X12,4HOLES,W/BP,IMPRL BLUE	31.18
CWPD1110B-119	PAD,6X12,4HOLES,W/BP,YEW GREEN	31.19
CWPD1110B-120	PAD,6X12,4HOLES,W/BP,DUSTY JADE	31.2
CWPD1110B-121	PAD,6X12,4HOLES,W/BP,TERRA COTTA	31.21
CWPD1110B-122	PAD,6X12,4HOLES,W/BP,PAPRIKA	31.22
CWPD1110B-123	PAD,6X12,4HOLES,W/BP,ASH LTHR	31.23
CWPD1110B-124	PAD,6X12,4HOLES,W/BP,CERULEAN LTHR	31.24
CWPD1110B-125	PAD,6X12,4HOLES,W/BP,CHARCOAL LTHR	31.25
CWPD1110B-126	PAD,6X12,4HOLES,W/BP,HUNTER LTHR	31.26
CWPD1110B-127	PAD,6X12,4HOLES,W/BP,MOSS LTHR	31.27
CWPD1110B-128	PAD,6X12,4HOLES,W/BP,SPICE LTHR	31.28
CWPD1110B-129	PAD,6X12,4HOLES,W/BP,TOMATO LTHR	31.29
CWPD1207A-101	PAD,5X9X14.5,4HOLES,BLACK	32.01
CWPD1207A-102	PAD,5X9X14.5,4HOLES,RYL BL	32.02
CWPD1207A-103	PAD,5X9X14.5,4HOLES,DVE GRY	32.03
CWPD1207A-104	PAD,5X9X14.5,4HOLES,CROCUS	32.04
CWPD1207A-105	PAD,5X9X14.5,4HOLES,GROTTO	32.05
CWPD1207A-106	PAD,5X9X14.5,4HOLES,GRAPHITE	32.06
CWPD1207A-107	PAD,5X9X14.5,4HOLES,RED	32.07
CWPD1207A-108	PAD,5X9X14.5,4HOLES,CHN GRN	32.08
CWPD1207A-109	PAD,5X9X14.5,4HOLES,TURQSE	32.09
CWPD1207A-110	PAD,5X9X14.5,4HOLES,RASP	32.1
CWPD1207A-111	PAD,5X9X14.5,4HOLES,PLUM	32.11
CWPD1207A-112	PAD,5X9X14.5,4HOLES,REGIMENT	32.12
CWPD1207A-113	PAD,5X9X14.5,4HOLES,SPC BLUE	32.13
CWPD1207A-115	PAD,5X9X14.5,4HOLES,BLK LTHR	32.15
CWPD1207A-116	PAD,5X9X14.5,4HOLES,NVBL LTH	32.16
CWPD1207A-117	PAD,5X9X14.5,4HOLES,PUTTY	32.17
CWPD1207A-118	PAD,5X9X14.5,4HOLES,IMPRL BL	32.18
CWPD1207A-119	PAD,5X9X14.5,4HOLES,YEW GRN	32.19
CWPD1207A-120	PAD,5X9X14.5,4HOLES,DSTY JD	32.2
CWPD1207A-121	PAD,5X9X14.5,4HOLES,TER COT	32.21
CWPD1207A-122	PAD,5X9X14.5,4HOLES,PAPRIKA	32.22
CWPD1207A-123	PAD,5X9X14.5,4HLS,ASH LTHR	32.23
CWPD1207A-124	PAD,5X9X14.5,4HLS,CERULAN LTHR	32.24
CWPD1207A-125	PAD,5X9X14.5,4HLS,CHARCOAL LTHR	32.25
CWPD1207A-126	PAD,5X9X14.5,4HLS,HUNTER LTHR	32.26
CWPD1207A-127	PAD,5X9X14.5,4HLS,MOSS LTHR	32.27

CWPD1207A-128	PAD,5X9X14.5,4HLS,SPICE LTHR	32.28
CWPD1207A-129	PAD,5X9X14.5,4HLS,TOMATO LTH	32.29
CWPF1016-731	BAR,,FLAT CR/HR, 3/8 X 2 X 8 1/4, 3	33
CWPF1284-731	BAR,STEEL, RND, DIA .995" X (12), 4	34
CW30103-200	WEIGHT STACK,200 LBS,MTP-S,19 X 10	35
CWRANN038-150	BOLT, SHOULDER, 3/8-16 X 1/2 X 1 1/	36
CWKADLN050-081	NUT, ACORN, 1/2-13	37
CW12537-109	NUT,INSERT,THIN-NUT,LARGE FLANGE	38
CWCLFA1064-741	ROD END, FEMALE, STEEL, ZINC, CAD,	39
CWLDNN031-200	PIN, ROLL, DIA 5/16 X 2.00	40
CWTAYN031-150	SCREW, BUTTON HEAD, BLK XYLAN,5/16	41
CWCAYN038-100	SCREW, SOCKET HEAD, BLK XYLAN, 3/	42
CWBFNN050-250	STUD, 1/2-13 X 2 1/2	43
CWWBKN031-007	WASHER, FLAT, TYPE A, SAE, 5/16 ID	44
CWWALYN031-008	WASHER, SPLIT, 5/16 ID, BL	45
CWWALYN038-009	WASHER, SPLIT, 3/8 ID, BLK XYLAN	46
CWWALYN050-013	WASHER, SPLIT, 1/2 ID, BLK XYLAN	47
CWFA1124-901	SPACER, STEEL,5/8 OD X 1/2 ID X 1/4	48
CW30010-101	LABEL,WARNING STRENGTH	49
CW30031-101	LABEL,INSTRUCTION,309	50
CW31756-101	LABEL, PRECOR USA ICARIAN LINE	51
CW31784-731	STOP PLUG, BLK ZN	52
CW12634-101	SPRING, TORSION 90 DEG X 0.484 X 0.	72
CW31770-742	LATCH PIVOTING PIN, CLR ZN	73
CWAMNN028-003	RING, RETAINING, 2-TURN, SPIRAL, SS	74
CW12633-101	ENDCAP, REC TUBE, LDP, 1 1/2 X 3 1	75
CWAC220-901	HANDLE END CAP W/SET SCREWS, DIA 3/	101
CWGR2505-000	GRIP,RUBBER,3/4" DIA, 5"	102
CW10505-721	ASSY, PLATE, WEIGHT, 05 LBS, WRKL B	200
CW10510-721	ASSY, PLATE, WEIGHT, 10 LBS, WRKL B	201
CW10520-721	ASSY, PLATE, WEIGHT, 20 LBS, WRKL B	202
CWAC1133-101	BUSHING, WEIGHT PLATE, LDPE PLASTIC	203
CW30172-751	ASSY, 4.00 IN WEIGHT STACK PIN AND	227
CW30173-751	ASSY, 6.00 IN WEIGHT STACK PIN AND	228
CWLDNN038-200	PIN, ROLL, DIA 3/8 X 2	250
CW30184-901	ASSY,BARREL, TOP PLATE,ALUMINUM	251
CW10535-721	PLATE, WEIGHT, SMALLTOP (STP-S), 0	281
CW10535-722	PLATE, WEIGHT, SMALLTOP (STP-S), 0	281
CW10550-721	PLATE, WEIGHT, MED TOP (MTP-S), 10	283
CW10550-722	PLATE, WEIGHT, MED TOP (MTP-S), 10	283
CW30132-711	SELECTOR STEM, 20 PLATE,0 .875 DIA,	308
CW30011-101	LABEL,WARNING WEIGHT STACK	311
CW12401-102	LABEL, WEIGHT PLATE, 10 LBS/ 4.6 KG	315
CW12401-104	LABEL, WEIGHT PLATE, 15 LBS/ 6.8 KG	317
CW12401-106	LABEL, WEIGHT PLATE, 20 LBS/ 8 KG	319
CW12401-108	LABEL, WEIGHT PLATE, 25 LBS/ 11.4 K	321
CW12401-110	LABEL, WEIGHT PLATE, 30 LBS/ 13.6 K	323
CW12401-112	LABEL, WEIGHT PLATE, 35 LBS/ 15.9 K	325
CW12401-114	LABEL, WEIGHT PLATE, 40 LBS/ 18.2 K	327
CW12401-116	LABEL, WEIGHT PLATE, 45 LBS/ 20.5 K	329
CW12401-118	LABEL, WEIGHT PLATE, 50 LBS/ 22.7 K	331

CW12401-119	LABEL, WEIGHT PLATE, 55 LBS/ 25 KG	332
CW12401-120	LABEL, WEIGHT PLATE, 60 LBS/ 27.3 K	333
CW12401-121	LABEL, WEIGHT PLATE, 65 LBS/ 29.5 K	334
CW12401-122	LABEL, WEIGHT PLATE, 70 LBS/ 31.8 K	335
CW12401-123	LABEL, WEIGHT PLATE, 75 LBS/ 34.1 K	336
CW12401-124	LABEL, WEIGHT PLATE, 80 LBS/ 36.4 K	337
CW12401-125	LABEL, WEIGHT PLATE, 85 LBS/ 38.6 K	338
CW12401-126	LABEL, WEIGHT PLATE, 90 LBS/ 40.9 K	339
CW12401-127	LABEL, WEIGHT PLATE, 95 LBS/ 43.2 K	340
CW12401-128	LABEL, WEIGHT PLATE, 100 LBS/ 45.5	341
CW12401-129	LABEL, WEIGHT PLATE, 110 LBS/ 50 KG	342
CW12401-130	LABEL, WEIGHT PLATE, 120 LBS/ 54.6	343
CW12401-131	LABEL, WEIGHT PLATE, 130 LBS/ 59.1	344
CW12401-132	LABEL, WEIGHT PLATE, 140 LBS/ 63.6	345
CW12401-133	LABEL, WEIGHT PLATE, 150 LBS/ 68.2	346
CW12401-134	LABEL, WEIGHT PLATE, 160 LBS/ 72.7	347
CW12401-135	LABEL, WEIGHT PLATE, 170 LBS/ 77.3	348
CW12401-136	LABEL, WEIGHT PLATE, 180 LBS/ 81.8	349
CW12401-137	LABEL, WEIGHT PLATE, 190 LBS/ 86.4	350
CW12401-138	LABEL, WEIGHT PLATE, 200 LBS/ 90.9	351
CW12401-140	LABEL, WEIGHT PLATE, 220 LBS/ 100 K	353
CW12401-142	LABEL, WEIGHT PLATE, 240 LBS/ 109.1	355
CW12401-144	LABEL, WEIGHT PLATE, 260 LBS/ 118.2	357
CW12401-145	LABEL, WEIGHT PLATE, 280 LBS/ 127.3	358
CW12537-109	NUT,INSERT,THIN-NUT,LARGE FLANGE	400
CW30126-101	LABEL,VINYL, PRECOR, 3.25 X 18.0	401
CWKAYN031-025	LOCKNUT, NYLON INSERT, HALF, UNC,	402
CWPF2307-721	BAR, FLAT 3/16 X 1 X (23 3/4), 4 BE	403
CWPF3143-211	SHROUD,SHEET,STEEL,3/32 THICK,4 BEN	404.01
CWPF3143-221	SHROUD,SHEET,STEEL,3/32 THICK,4 BEN	404.02
CWPF3143-231	SHROUD,SHEET,STEEL,3/32 THICK,4 BEN	404.03
CWPF3143-241	SHROUD,SHEET,STEEL,3/32 THICK,4 BEN	404.04
CWPF3143-251	SHROUD,SHEET,STEEL,3/32 THICK,4 BEN	404.05
CWPF3143-261	SHROUD,SHEET,STEEL,3/32 THICK,4 BEN	404.06
CWPF3143-271	SHROUD,SHEET,STEEL,3/32 THICK,4 BEN	404.07
CWPF3143-281	SHROUD,SHEET,STEEL,3/32 THICK,4 BEN	404.08
CWPF3143-291	SHROUD,SHEET,STEEL,3/32 THICK,4 BEN	404.09
CWPF3143-311	SHROUD,SHEET,STEEL,3/32 THICK,4 BEN	404.11
CWPF3143-321	SHROUD,SHEET,STEEL,3/32 THICK,4 BEN	404.12
CWPF3143-331	SHROUD,SHEET,STEEL,3/32 THICK,4 BEN	404.13
CWPF3143-341	SHROUD,SHEET,STEEL,3/32 THICK,4 BEN	404.14
CWPF3143-351	SHROUD,SHEET,STEEL,3/32 THICK,4 BEN	404.15
CWPF3143-361	SHROUD,SHEET,STEEL,3/32 THICK,4 BEN	404.16
CWPF3143-711	SHROUD,SHEET,STEEL,3/32 THICK,4 BEN	404.17
CWPF3144-721	SHROUD BRKT,PLATE,STEEL,1/8 THICK,1	405
CWTAYN031-100	SCREW, BUTTON HEAD, BLK XYLAN, 5/1	406
CWWALYN031-008	WASHER, SPLIT, 5/16 ID, BL	407
CWWBKN031-007	WASHER, FLAT, TYPE A, SAE, 5/16 ID	408
CWAC1177-101	FLOOR PROTECTOR, RUBBER, 4.563 X 4.	501
CWAC1178-101	FLOOR PROTECTOR, RUBBER, 2.563 X 6.	502